



OMT3-IE3 180L-4 22kW 400/690V 50Hz , . #

DATASHEET

50Hz |

| | | | |
|------------------------------|----------------------------|-------------------|-----------------|
| Frame type: | cast iron | Connection: | Δ/Y |
| Model: | OMT3-IE3 | Run Capacitor: | |
| Output: | 22 kW | Start Capacitor: | |
| Rated voltage: | 400/690V | Rotor voltage: | |
| Frame: | 180 mm | Rotor connection: | |
| Poles: | 4 | Rotor current: | |
| Frequency: | 50 Hz | No load current: | |
| Rated speed: | 1475 RPM | Insulation class: | F |
| Rated current: | 39,7/23 A | Temp. rise: | 80 K |
| Locked rotor current(Ia/In): | 780% | Service factor: | 1 |
| Locked rotor torque(Ma/Mn): | 200% | Duty: | S1 |
| Breakdown torque(Ma/Mn): | 230% | Amb. temp.: | -20~40 °C |
| Mounting: | B35 | Altitude: | 1000 m |
| Noise level: | 76 dB | Protection: | IP55 |
| Approx. weight: | 220 kg | Cooling: | IC411 |
| Mom. of inertia: | 0,206517 kg/m ² | Vibration: | 2,2 mm/s |
| Slip: | 1,7% | Dir. rotation: | BOTH |
| Rated torque: | 142 Nm | Starting method: | DIRECT ON LINE |
| | | Coupling: | DIRECT |
| | | Load type: | PARABOLIC CURVE |

PERFORMANCE

| Output | 50% | 75% | 100% |
|----------------|------|------|------|
| Efficiency(%): | 92,4 | 93,3 | 93 |
| Power factor: | | | 0,86 |

BEARING

| | NDE | DE |
|--------------------|--------------|--------------|
| Bearing | 6311 C3 | 6311 C3 |
| Regreasing int(h): | 4000 | 4000 |
| Grease amount(g): | 20 | 20 |
| Grease polyrexEM: | Caltex SRI-2 | Caltex SRI-2 |

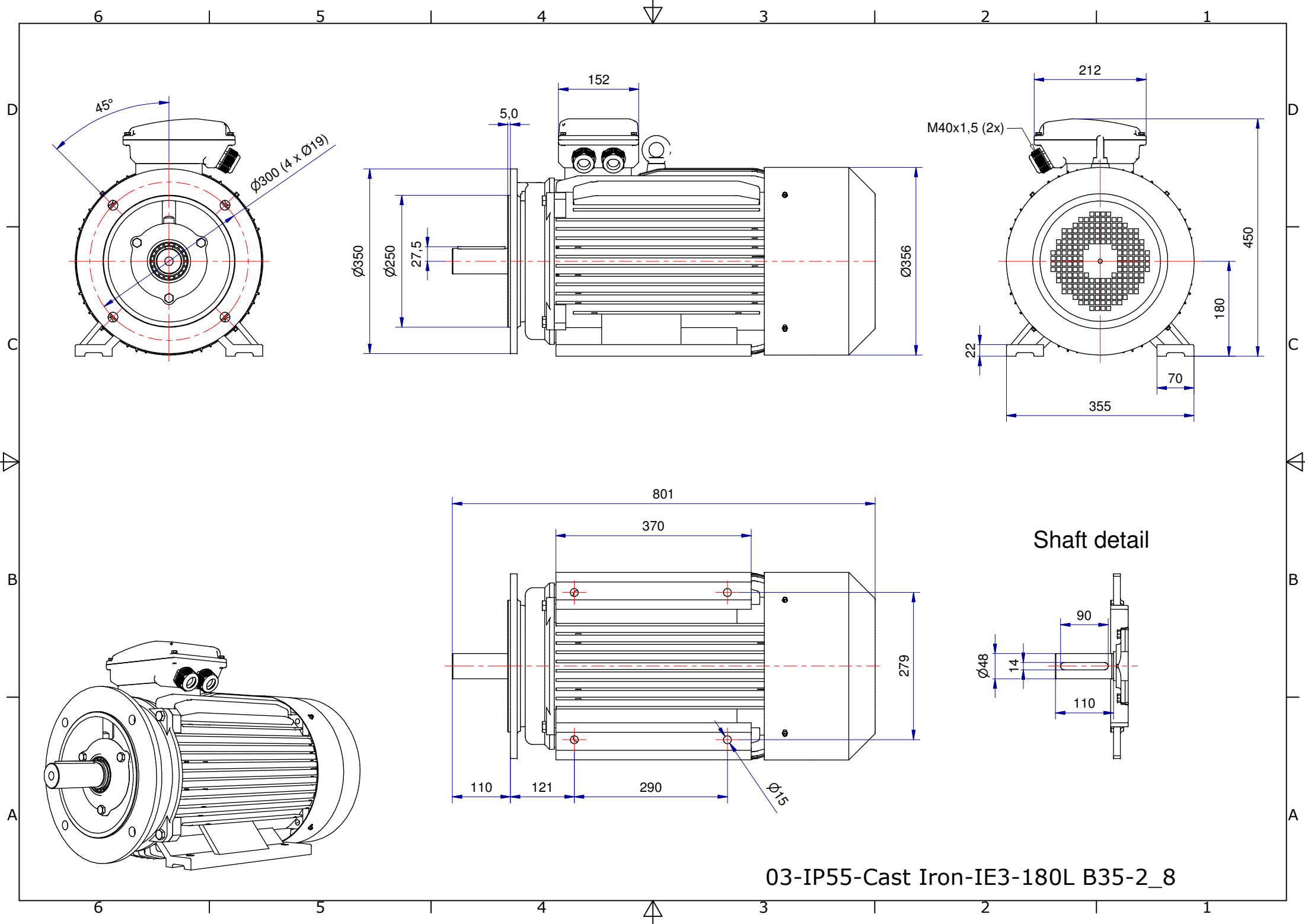
STANDARDS

| | |
|----------------|----------------------|
| Specification: | IEC60034-1/GB755 |
| Test: | IEC60034-2/GB/T1032 |
| Noise | IEC60034-9/GB10069.3 |
| Vibration: | IEC60034-14/GB10068 |

ACCESSORIES

PTC 150°C

There may be differences between rating plate and calculated values



03-IP55-Cast Iron-IE3-180L B35-2_8