



OMT3-IE3 280M-4 90kW 400/690V 50Hz , . #

DATASHEET

50Hz |

Frame type:	cast iron	Connection:	Δ/Y
Model:	OMT3-IE3	Run Capacitor:	
Output:	90 kW	Start Capacitor:	
Rated voltage:	400/690V	Rotor voltage:	
Frame:	280 mm	Rotor connection:	
Poles:	4	Rotor current:	
Frequency:	50 Hz	No load current:	
Rated speed:	1485 RPM	Insulation class:	F
Rated current:	155/89,9 A	Temp. rise:	80 K
Locked rotor current(Ia/In):	690%	Service factor:	1
Locked rotor torque(Ma/Mn):	200%	Duty:	S1
Breakdown torque(Ma/Mn):	230%	Amb. temp.:	-20~40 °C
Mounting:	B35	Altitude:	1000 m
Noise level:	80 dB	Protection:	IP55
Approx. weight:	683 kg	Cooling:	IC411
Mom. of inertia:	2,563395 kg/m2	Vibration:	2,8 mm/s
Slip:	1%	Dir. rotation:	BOTH
Rated torque:	579 Nm	Starting method:	DIRECT ON LINE
		Coupling:	DIRECT
		Load type:	PARABOLIC CURVE

PERFORMANCE

Output	50%	75%	100%
Efficiency(%):	94,5	95,4	95,2
Power factor:			0,88

BEARING

	NDE	DE
Bearing	6317 C3	6317 C3
Regreasing int(h):	4000	4000
Grease amount(g):	38	38
Grease polyrexEM:	Caltex SRI-2	Caltex SRI-2

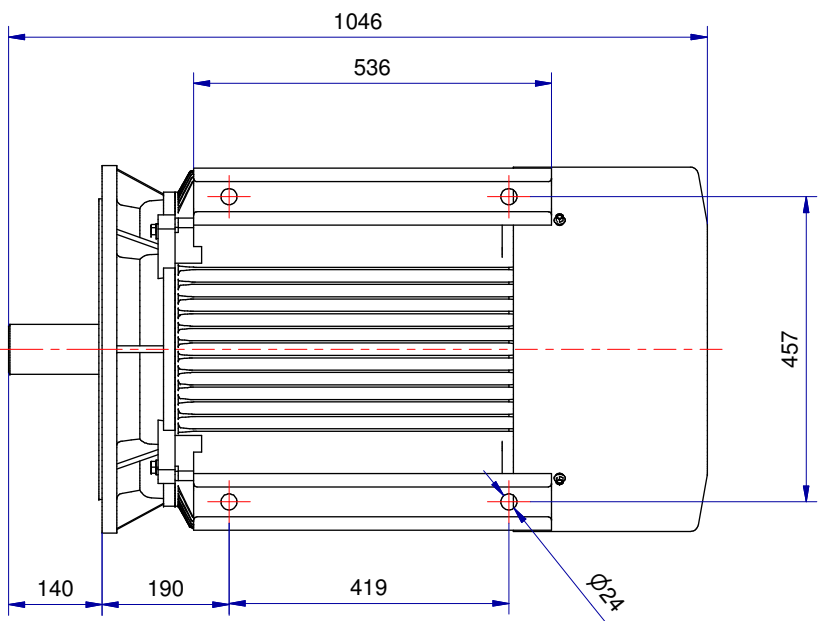
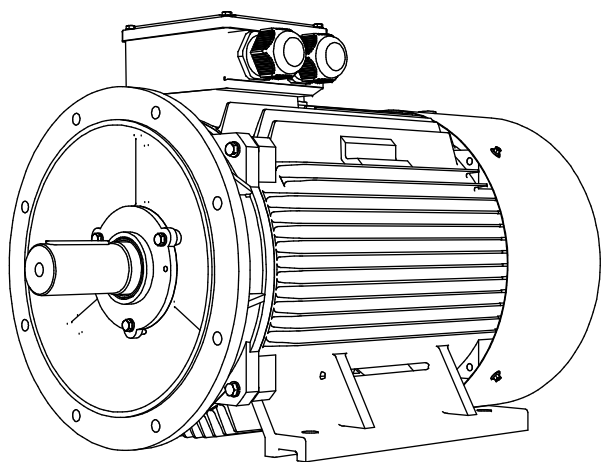
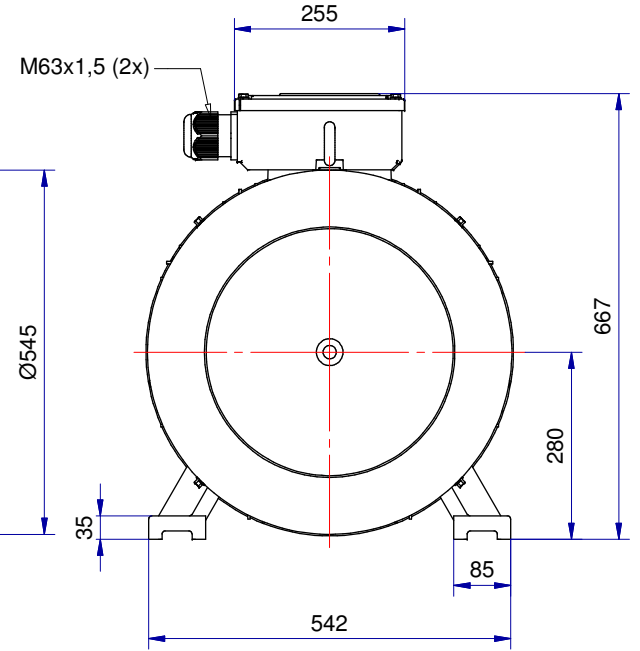
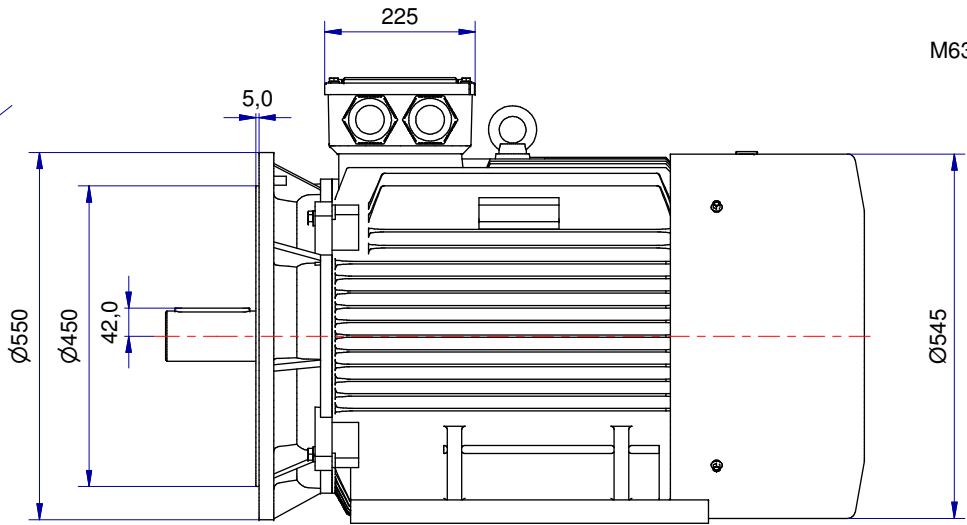
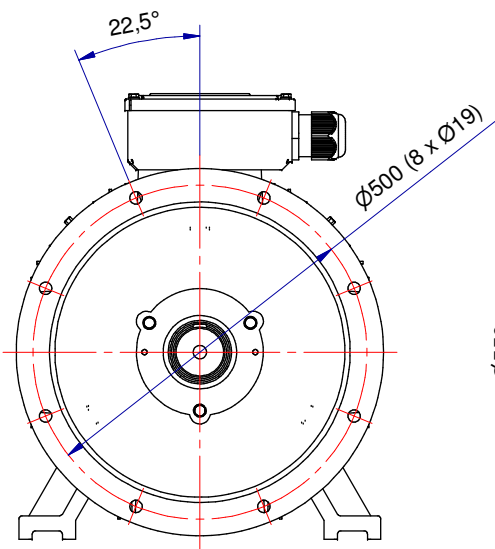
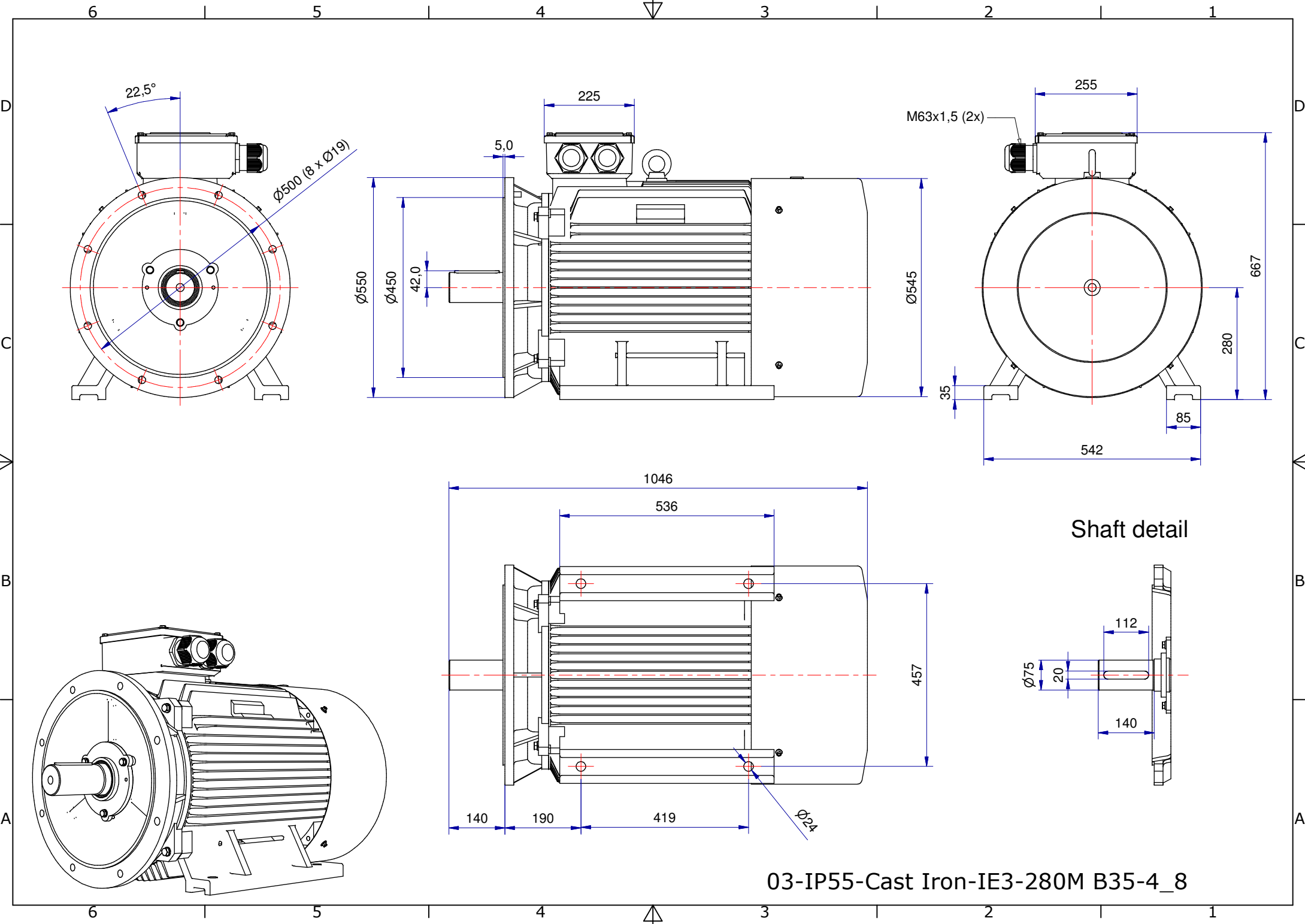
STANDARDS

Specification:	IEC60034-1/GB755
Test:	IEC60034-2/GB/T1032
Noise	IEC60034-9/GB10069.3
Vibration:	IEC60034-14/GB10068

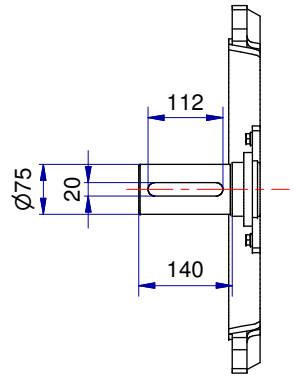
ACCESSORIES

PTC 150°C

There may be differences between rating plate and calculated values



Shaft detail



03-IP55-Cast Iron-IE3-280M B35-4_8